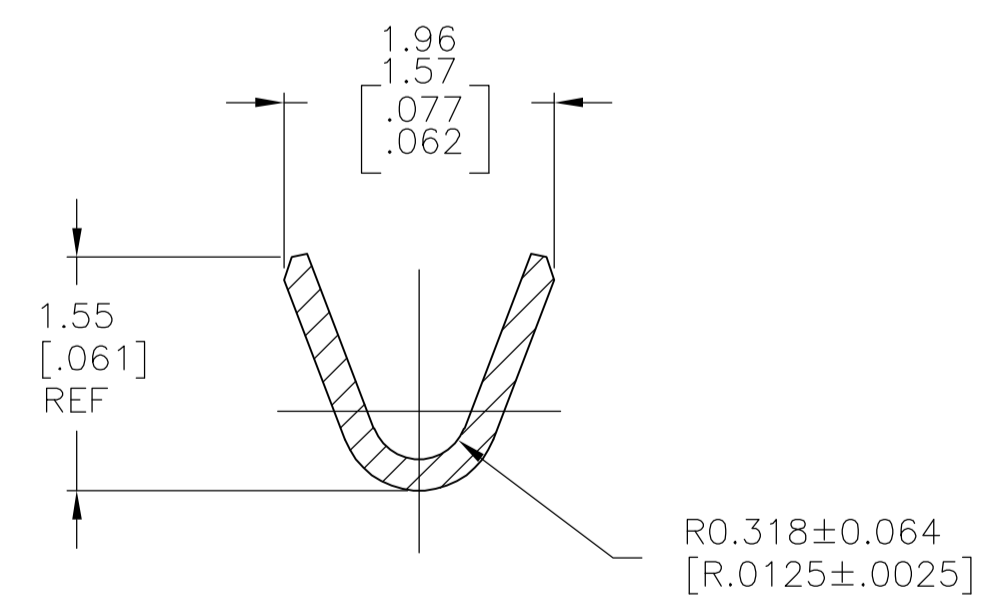
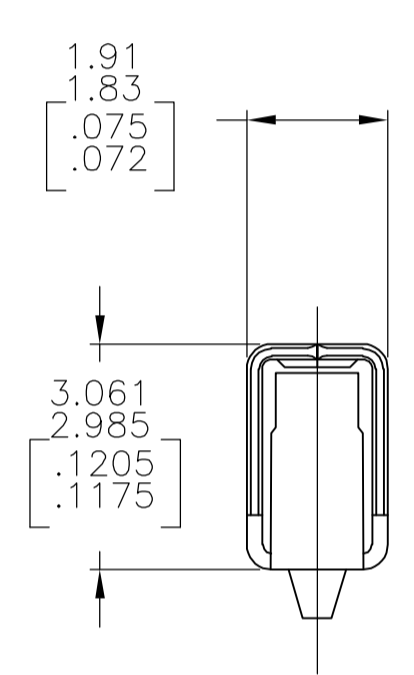
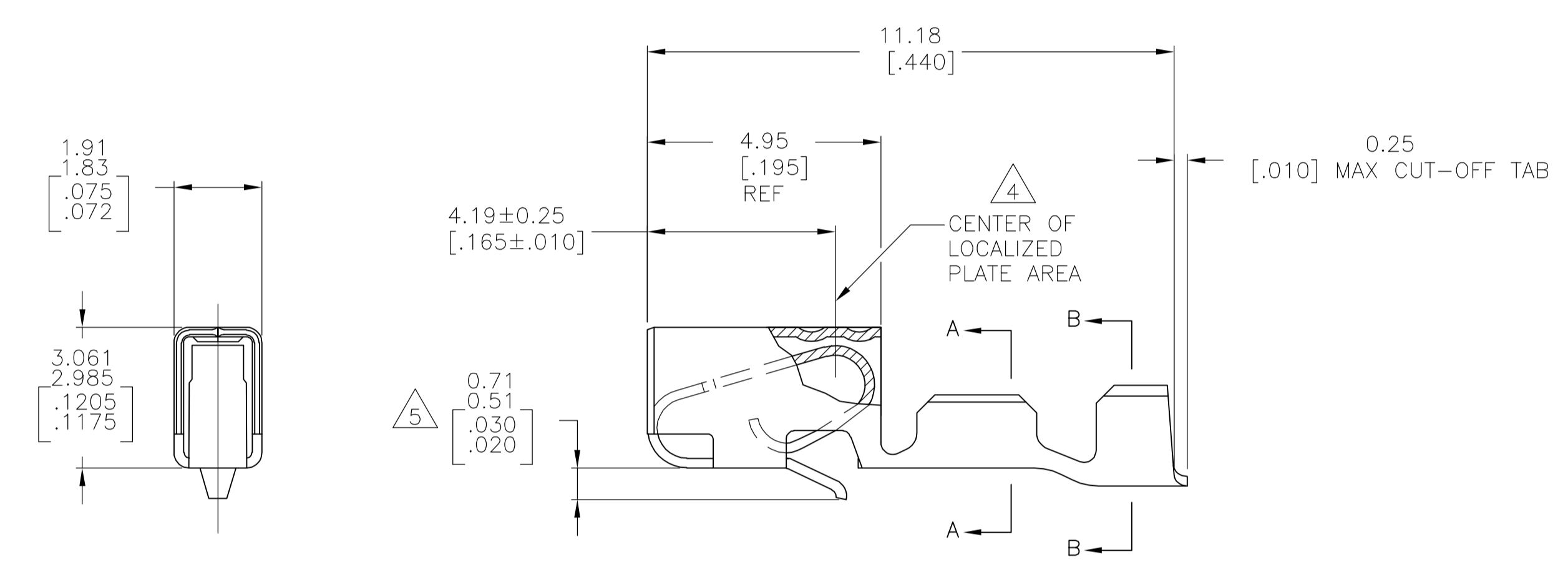
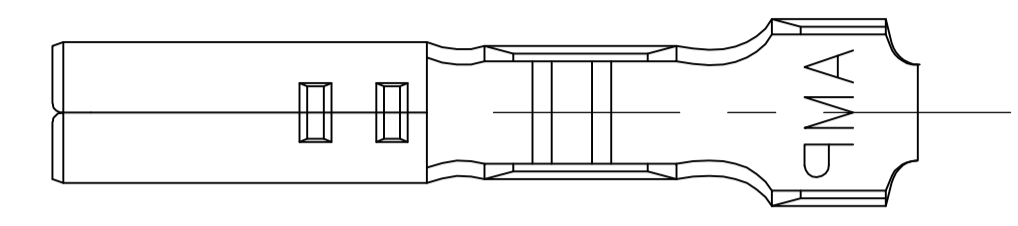
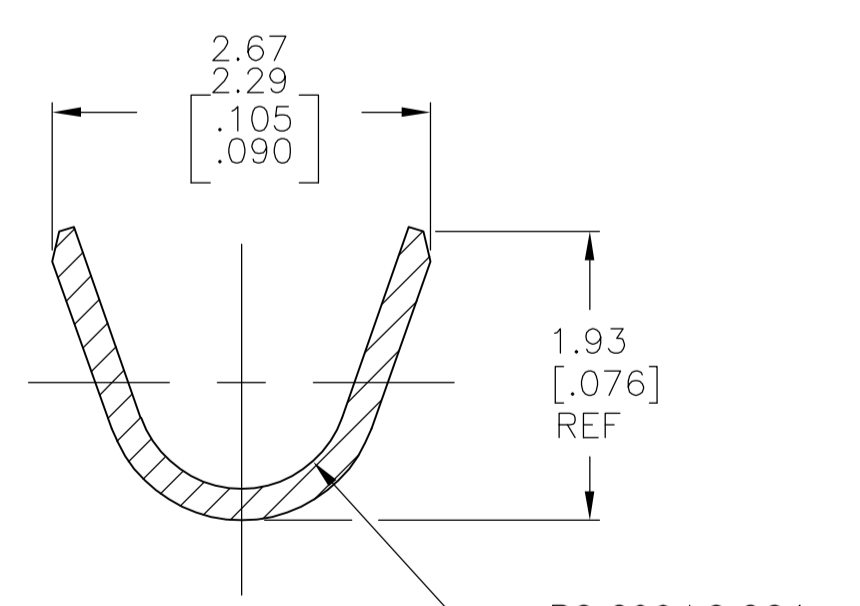


LOC		DIST		REVISIONS			
P	LTR	DESCRIPTION	DATE	DNW	APVD		
H		ECO-06-016113	17JUL06	BSV	JE		

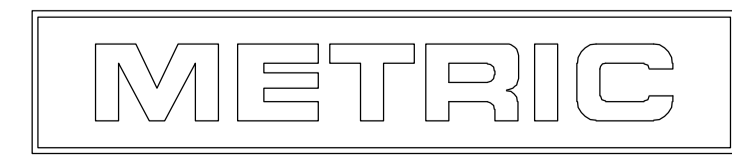
1. WIRE RANGE 0.13 - 0.35 MM² (26 - 22 AWG).
 2. INSULATION RANGE: 0.89 - 1.65 [.035 - .065] DIA
 LARGER SIZES OF 1.68 - 1.91 [.066 - .075] DIA
 INSULATION REQUIRE WIRE AND CRIMP EVALUATION
 FROM AMP INCORPATED.
 3. DIMENSIONS IN BRACKETS ARE IN INCHES.
- △4 0.00076 [.000030] MIN THK GOLD STRIPES IN LOCALIZED
 PLATE AREA ON BEAM AND DIMPLE OVER 0.00127 [.000050]
 MIN THK NICKEL OVER ENTIRE CONTACT.
- △5 AFTER PACKAGING AND SHIPMENT, A LANCE HEIGHT
 0.46 - 0.71 [.018 - .030] IS PERMISSABLE.



SECTION A-A
SCALE 20:1



SECTION B-B
SCALE 20:1



△	770666-2
PRE-TIN	770666-1
FINISH	PART NO.

THIS DRAWING IS A CONTROLLED DOCUMENT.		DIN	T. BECK	01MAR91	 Tyco Electronics Corporation Harrisburg, PA 17105-3608
DIMENSIONS: mm [INCHES]		CHK	R. SWING	01MAR91	
TOLERANCES UNLESS OTHERWISE SPECIFIED:		APVD	D. CLARK	05MAR91	NAME
0 PLC	± -	PRODUCT SPEC			RECEPTACLE, CST-100, LOOSE PIECE
1 PLC	± -	APPLICATION SPEC			
2 PLC	± -	SIZE	A1	CAGE CODE	770666
3 PLC	± 0.13 [.005]	WEIGHT	-	DRAWING NO	770666
4 PLC	± -	CUSTOMER DRAWING		SCALE	10:1
ANGLES	± -	SHEET	1	OF	1
FINISH	SEE TABLE	REV			